



Figure 1. The Physical Photo of APZD300V2A

FEATURES

- Built-in waveform generator: sine, square and triangle
- High current capability: up to 2A
- Cut power consumption by 80%
- $V_{IN} = 5V$
 $V_{OUT} = -30 \sim 300V$
 Frequency = 0.1Hz ~ 20kHz

APPLICATIONS

Efficiently drive large piezos at high speed.

DESCRIPTION

The APZD300V2A is an electronic module designed for driving piezos with high efficiency. Figure 1 shows the physical photo of APZD300V2A. The output voltage is $-30V$ to $300V$ when powered by a $5V$ power supply.

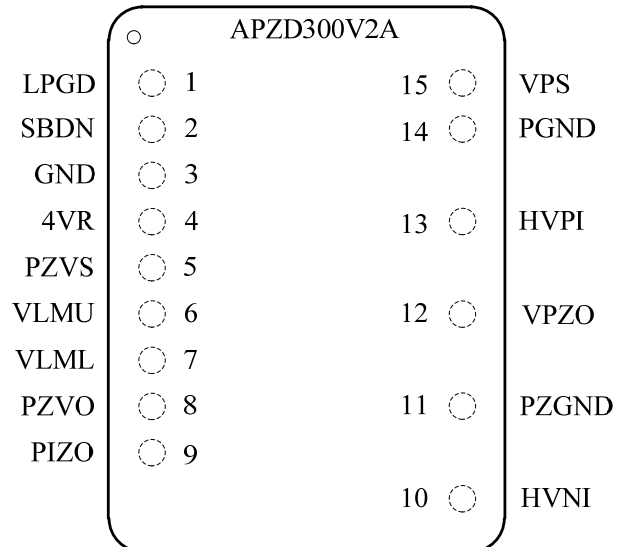


Figure 2. Pin Names and Locations

Figure 2 is the top view of the APZD300V2A, which shows the pin names and locations. Table 1 shows the pin function descriptions.

Table 1. Pin Function Descriptions

Pin #	Name	Type	Description
1	LPGD	Digital output	Loop good indication. When the driver is working properly, this pin goes high; otherwise, it goes low.
2	SBDN	Digital input	Shut down the entire driver.
3	GND	Signal ground	Signal ground pin. Connect ADC and DAC grounds to here.
4	4VR	Analog output	4V reference voltage.
5	PZVS	Analog input	Piezo voltage setting.
6	VLMU	Analog input	Upper voltage limit.
7	VLML	Analog input	Lower voltage limit.
8	PZVO	Analog output	Piezo voltage output indication.
9	PZIO	Analog output	Piezo current output.



10	HVNI	Analog output	High voltage negative input.
11	PZGND	Ground	Piezo ground.
12	VPZO	Analog output	Output voltage for driving Piezo.
13	HVPI	Analog output	High voltage positive input.
14	PGND	Power ground	Power ground pin.
15	VPS	Power input	Power supply: 5V.

SPECIFICATIONS

Table 2. Characteristics (T_{Ambient} = 25°C)

Parameter	Symbol	Conditions	Min.	Typ.	Max.	Units
Power Supply Input: VPS pin, pin 15						
Input Range	V _{VPS}		4.7	5	5.5	V
Input Current	I _{VPS}		50		500	mA
Voltage Output: VPZO, pin 12						
Output Voltage	V _{VPZO}		-30		300	V
Standby Shutdown Control: SBDN pin, pin 2						
SBDN Voltage	Logic High	V _{SBDN}	1.2		5	V
	Logic Low		0		0.8	V
Loop Good Indication: LPGD pin, pin 1						
LPGD Voltage	Logic High	V _{LPGD}		5		V
	Logic Low					
4V Reference Voltage: 4VR, pin 4						
Voltage Reference	V _{REF}			4		V
High Voltage Positive Input: HVPI, pin 13						
Positive Voltage	V _{HVPI}			300		V
High Voltage Negative Input: HVNI, pin 10						
Negative Voltage	V _{HVNI}			-30		V

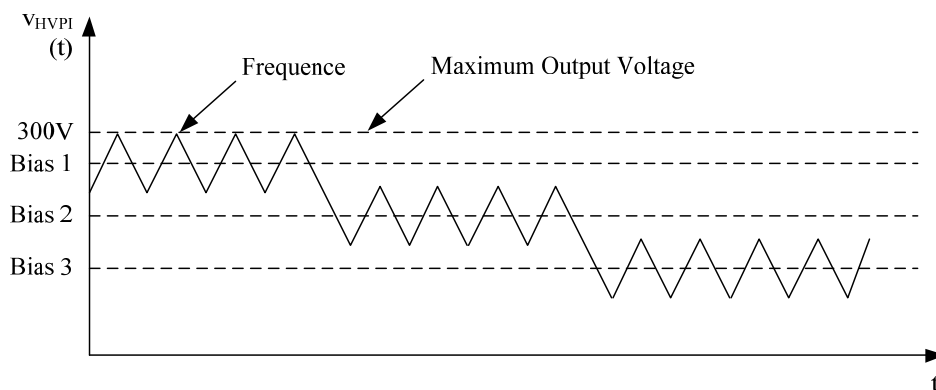


Figure 3. Output Voltage

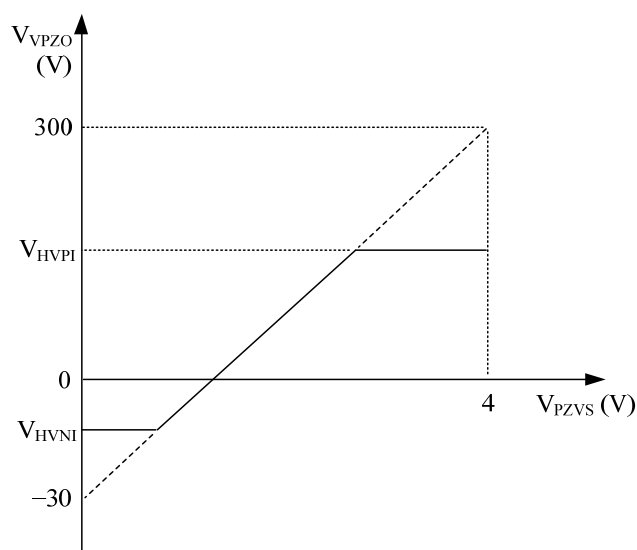


Figure 4. V_{VPZO} vs. V_{PZVS}

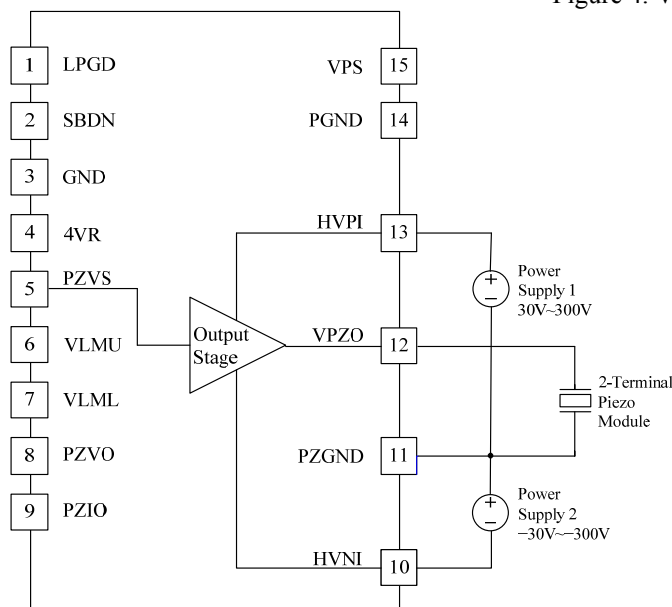


Figure 5. Schematic for Driving a 2-Terminal Piezo Module

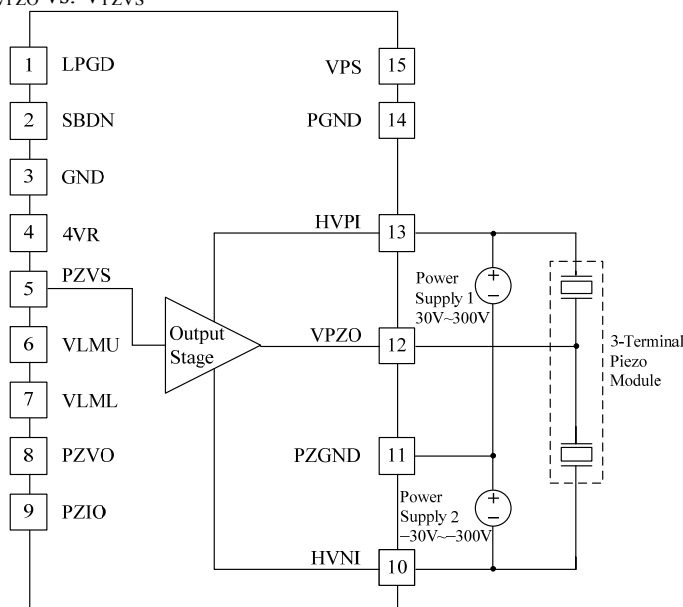


Figure 6. Schematic for Driving a 3-Terminal Piezo Module

Note: Power Supply1 + Power Supply 2 ≤ 500V



OUTLINE DIMENSIONS

This driver comes in one package: through hole mount, or so-called DIP (Dual Inline Package) or D (short for DIP) package. Dimensions of the DIP package Piezo driver are shown in Figure 7.

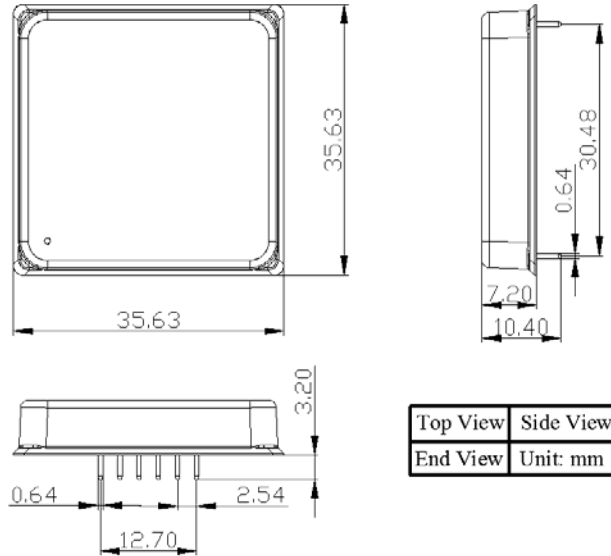


Figure 7. Dimensions of APZD300V2A

ORDERING INFORMATION

Table 3.

Part Number	Description	1 – 9 (PCs)
APZD300V2A	High Efficiency Piezo Driver	\$500



NOTICE

1. ATI warrants performance of its products for one year to the specifications applicable at the time of sale, except for those being damaged by excessive abuse. Products found not meeting the specifications within one year from the date of sale can be exchanged free of charge.
2. ATI reserves the right to make changes to its products or to discontinue any product or service without notice, and advise customers to obtain the latest version of relevant information to verify, before placing orders, that information being relied on is current and complete.
3. All products are sold subject to the terms and conditions of sale supplied at the time of order acknowledgment, including those pertaining to warranty, patent infringement, and limitation of liability. Testing and other quality control techniques are utilized to the extent ATI deems necessary to support this warranty. Specific testing of all parameters of each device is not necessarily performed, except those mandated by government requirements.
4. Customers are responsible for their applications using ATI components. In order to minimize risks associated with the customers' applications, adequate design and operating safeguards must be provided by the customers to minimize inherent or procedural hazards. ATI assumes no liability for applications assistance or customer product design.
5. ATI does not warrant or represent that any license, either express or implied, is granted under any patent right, copyright, mask work right, or other intellectual property right of ATI covering or relating to any combination, machine, or process in which such products or services might be or are used. ATI's publication of information regarding any third party's products or services does not constitute ATI's approval, warranty or endorsement thereof.
6. IP (Intellectual Property) Ownership: ATI retains the ownership of full rights for special technologies and/or techniques embedded in its products, the designs for mechanics, optics, plus all modifications, improvements, and inventions made by ATI for its products and/or projects.